

## Three Phase Induction Motor - Squirrel Cage

### GENERAL INFORMATION

Type	MT4IE365H1207500	Construction	IM B3	Ambient Temp. [°C]	-20 / 40
Pout [kW]	7,5	Duty	S1	Vibration Class	A
Speed [rpm]	2960	Degree of Protection	IP55	Rotation	CW-CCW
Frame	132S	Cooling Method	IC411	Temperature Class	B
Current [A]	13,2	Insulation Class	F	Altitude above sea [m]	1000
cos φ	0,88	Weight [kg]			
Efficiency Class	IE3				

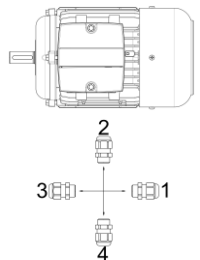
### ELECTRICAL DATA ( RAW MEASUREMENT DATA )

V1	%Load	T [Nm]	I [A]	rpm	P2 [W]	cos φ	Efficiency	Hz
400	100	24,2	13,2	2960	7500	0,88	91,8	50
400	75	18	9,9	2985	5625	0,89	92	50
400	50	12	8,1	2984	2940	0,74	90,5	50

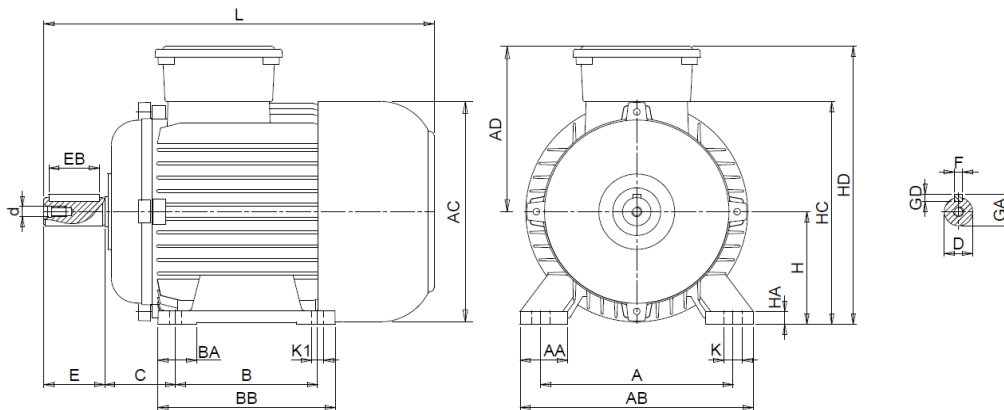
Locked Rotor Current	Ia [A]	140	Breakdown Torque	Mk [Nm]	112
	Ia / In	10,61		Mk / Mn	4,63
Locked Rotor Torque	Ma [Nm]	100	No Load Current	[A]	5
	Ma / Mn	4,13	No Load Power	[W]	430

### MECHANICAL DATA

DE Bearing	6208-ZZ	Sound Pressure - 50 Hz - dB[B]	90	
NDE Bearing	6208-ZZ	Sound Pressure - 60 Hz - dB[B]	93	
Fixed Bearing	NO	Housing Material	Aluminium	
Lubrication	-	DE Shield Material	Aluminium	
Grease Amount	-	Terminal Box Material	Polyamide	
Grease Type	-	Cable Entry	M25	
Feather Key	10*8*70	Cable Gland Position	4	
Balance	G 1,6 Half Key			

### MECHANICAL DIMENSIONS

A	AA	AB	AC	AD	B	B'	BA	BB	C	D	d	E	EB	F	GA
216	58,5	260	258,5	184,5	140	-	37	180	89	38	M12	80	70	10	41
GD	H	HA	HC	HD	K	K1	L	LA	LB	M	N	P	S	S1	T
8	132	17,5	263	316,5	12	28	481,3	-	-	-	-	-	-	-	-



Kazim Karabekir Cad. No:84 Kemalpaşa 35735 İzmir/Turkey

Tel: +90 (232) 877 10 60 (pbx)

Fax: +90 (232) 877 10 59

Email: info@voltmotor.com.tr

www.voltmotor.com.tr/en/

Volt Motor has right to change all the data without prior notice.