

GENERAL INFORMATION

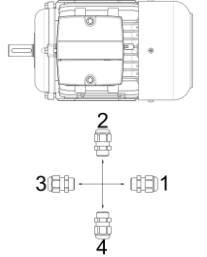
Type	MT4IE365I1407500	Construction	IM B3	Ambient Temp. [°C]	-20 / +40
Pout [kW]	7,5	Duty	S1	Vibration Class	A
Speed [rpm]	1458	Degree of Protection	IP55	Rotation	CW-CCW
Frame	132M	Cooling Method	IC411	Temperature Class	B
Current [A]	14,5	Insulation Class	F	Altitude above sea [m]	1000
cos φ	0,82	Weight [kg]			
Efficiency Class	IE3				

ELECTRICAL DATA (RAW MEASUREMENT DATA)

V1	%Load	T [Nm]	I [A]	rpm	P2 [W]	cos φ	Efficiency	Hz
400	100	49,1	14,5	1458	7500	0,82	90,4	50
400	75	36,7	11,8	1464	5625	0,77	89,5	50
400	50	24,2	9,5	1480	3750	0,63	90	50

Locked Rotor Current	Ia [A]	113	Breakdown Torque	Mk [Nm]	191,5
	Ia / In	7,79		Mk / Mn	3,90
Locked Rotor Torque	Ma [Nm]	178,7	No Load Current	[A]	7,1
	Ma / Mn	3,64	No Load Power	[W]	406

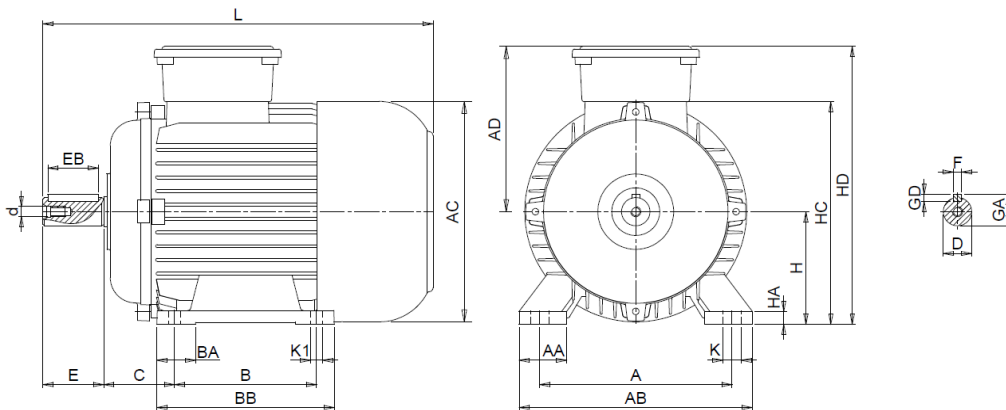
MECHANICAL DATA

DE Bearing	6208-ZZ	Sound Pressure - 50 Hz - dB[B]	83	
NDE Bearing	6208-ZZ	Sound Pressure - 60 Hz - dB[B]	86	
Fixed Bearing	NO	Housing Material	Aluminium	
Lubrication	-	DE Shield Material	Aluminium	
Grease Amount	-	Terminal Box Material	Polyamide	
Grease Type	-	Cable Entry	M25	
Feather Key	10*8*70	Cable Gland Position	4	
Balance	G 1,6 Half Key			

MECHANICAL DIMENSIONS

A	AA*	AB*	AC*	AD*	B	B'*	BA*	BB*	C	D	d	E	EB	F	GA
216	58,5	260	258,5	184,5	178	-	37	218	89	38	M12	80	70	10	41
GD	H	HA*	HC*	HD*	K*	K1	L*	LA*	LB*	M	N	P	S	S1	T
8	132	17,5	263	316,5	28	12	519,4	-	-	-	-	-	-	-	-

Non standard dimensions[*] for IEC 60072-1 may vary.



Kazim Karabekir Cad. No:84 Kemalpaşa 35735 Izmir/Turkey

Tel: +90 (232) 877 10 60 (pbx)

Fax: +90 (232) 877 10 59

Email: info@voltmotor.com.tr

www.voltmotor.com.tr/en/

Volt Motor has right to change all the data without prior notice.