

GENERAL INFORMATION

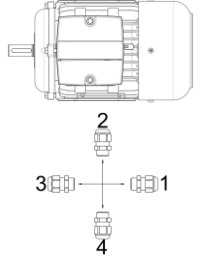
Type	MT4IE365K1411000	Construction	IM B3	Ambient Temp. [°C]	-20 / +40
Pout [kW]	11	Duty	S1	Vibration Class	A
Speed [rpm]	1471	Degree of Protection	IP55	Rotation	CW-CCW
Frame	160M	Cooling Method	IC411	Temperature Class	B
Current [A]	21,2	Insulation Class	F	Altitude above sea [m]	1000
cos φ	0,81	Weight [kg]			
Efficiency Class	IE3				

ELECTRICAL DATA (RAW MEASUREMENT DATA)

V1	%Load	T [Nm]	I [A]	rpm	P2 [W]	cos φ	Efficiency	Hz
400	100	71,4	21,2	1471	11000	0,81	91,4	50
400	75	53,2	17,4	1480	8250	0,77	89	50
400	50	35,3	13,4	1489	5500	0,66	90	50

Locked Rotor Current	Ia [A]	150	Breakdown Torque	Mk [Nm]	225
	Ia / In	7,08		Mk / Mn	3,15
Locked Rotor Torque	Ma [Nm]	235	No Load Current	[A]	9,6
	Ma / Mn	3,29	No Load Power	[W]	475

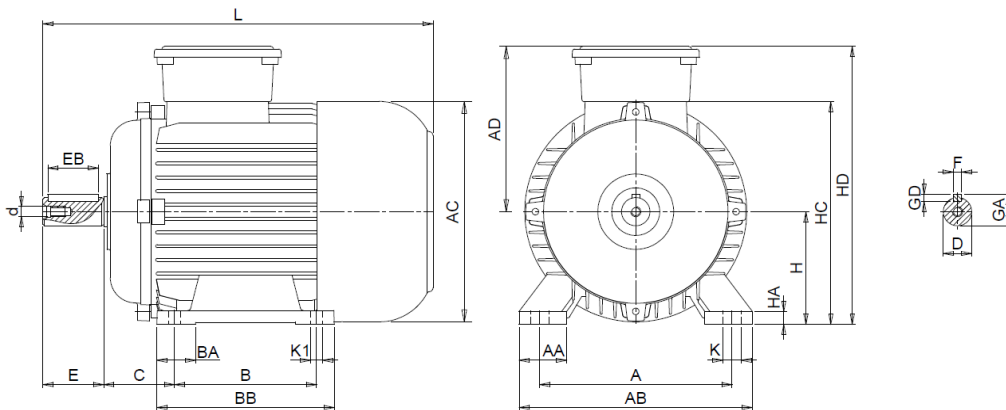
MECHANICAL DATA

DE Bearing	6309-ZZ	Sound Pressure - 50 Hz - dB[B]	83	
NDE Bearing	6309-ZZ	Sound Pressure - 60 Hz - dB[B]	86	
Fixed Bearing	YES	Housing Material	Aluminium	
Lubrication	-	DE Shield Material	Aluminium	
Grease Amount	-	Terminal Box Material	Aluminium	
Grease Type	-	Cable Entry	M32	
Feather Key	12*8*90	Cable Gland Position	4	
Balance	G 2,5 Half Key			

MECHANICAL DIMENSIONS

A	AA*	AB*	AC*	AD*	B	B'*	BA*	BB*	C	D	d	E	EB	F	GA
254	72	316	308	241,8	210	-	52	264	108	42	M16	110	90	12	45
GD	H	HA*	HC*	HD*	K*	K1	L*	LA*	LB*	M	N	P	S	S1	T
8	160	23	319	401,8	29,5	14,5	623,2	-	-	-	-	-	-	-	-

Non standard dimensions[*] for IEC 60072-1 may vary.



Kazim Karabekir Cad. No:84 Kemalpaşa 35735 İzmir/Turkey

Tel: +90 (232) 877 10 60 (pbx)

Fax: +90 (232) 877 10 59

Email: info@voltmotor.com.tr

www.voltmotor.com.tr/en/

Volt Motor has right to change all the data without prior notice.