

Three Phase Induction Motor - Squirrel Cage

GENERAL INFORMATION

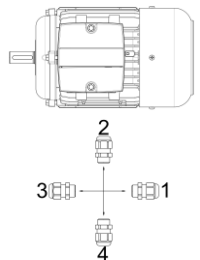
Type	V3EA80M2BB3YY	Construction	IM B3	Ambient Temp. [°C]	-20 / 40
Pout [kW]	1,1	Duty	S1	Vibration Class	A
Speed [rpm]	2870	Degree of Protection	IP55	Rotation	CW-CCW
Frame	80M	Cooling Method	IC411	Temperature Class	B
Current [A]	2,5	Insulation Class	F	Altitude above sea [m]	1000
cos φ	0,76796121656	Weight [kg]			
Efficiency Class	IE3				

ELECTRICAL DATA (RAW MEASUREMENT DATA)

V1	%Load	T [Nm]	I [A]	rpm	P2 [W]	cos φ	Efficiency	Hz
400	100	3,66	2,5	2870	1100	0,77	82,7	50
400	75	2,71	2,1	2910	825	0,68	83,4	50
400	50	1,79	1,8	2940	550	0,54	82,3	50

Locked Rotor Current	Ia [A]	14,6	Breakdown Torque	Mk [Nm]	11,6
	Ia / In	5,84		Mk / Mn	3,17
Locked Rotor Torque	Ma [Nm]	8,8	No Load Current	[A]	1,6
	Ma / Mn	2,40	No Load Power	[W]	130

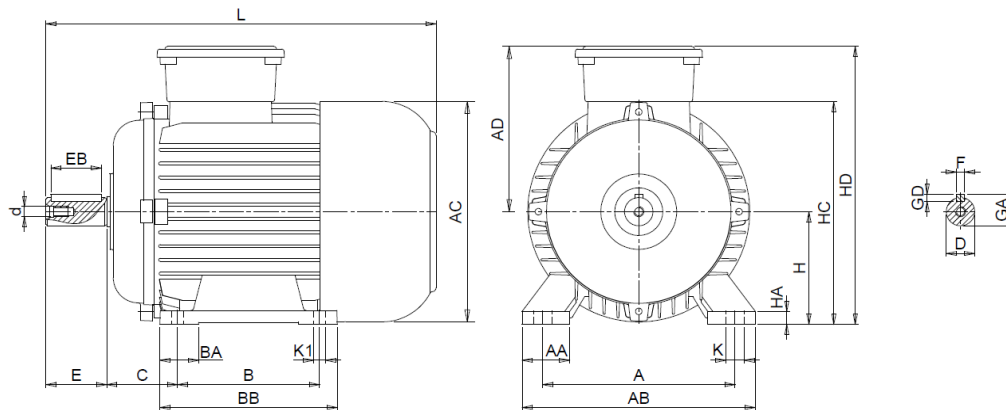
MECHANICAL DATA

DE Bearing	6204-ZZ	Sound Pressure - 50 Hz - dB[B]	80	
NDE Bearing	6204-ZZ	Sound Pressure - 60 Hz - dB[B]	87	
Fixed Bearing	YES	Housing Material	Aluminium	
Lubrication	-	DE Shield Material	Aluminium	
Grease Amount	-	Terminal Box Material	Polyamide	
Grease Type	-	Cable Entry	M20	
Feather Key	6*6*32	Cable Gland Position	4	
Balance	G 1,6 Half Key			

MECHANICAL DIMENSIONS

A	AA	AB	AC	AD	B	B'	BA	BB	C	D	d	E	EB	F	GA
125	35	160	158,2	183	100	-	32	125	50	19	M6	40	32	6	21,5
GD	H	HA	HC	HD	K	K1	L	LA	LB	M	N	P	S	S1	T
6	80	13	159	263	10	15	304,5*	-	-	-	-	-	-	-	-

*Motor length with plastic fan cover [L]=306 mm.



Kazim Karabekir Cad. No:84 Kemalpaşa 35735 İzmir/Turkey

Tel: +90 (232) 877 10 60 (pbx)

Fax: +90 (232) 877 10 59

Email: info@voltmotor.com.tr

www.voltmotor.com.tr/en/

Volt Motor has right to change all the data without prior notice.