

## Three Phase Induction Motor - Squirrel Cage

### GENERAL INFORMATION

Type	V3EA80M2CB340SYY	Construction	IM B34	Ambient Temp. [°C]	-20 / +40
Pout [kW]	0,75	Duty	S1	Vibration Class	A
Speed [rpm]	2934	Degree of Protection	IP55	Rotation	CW-CCW
Frame	80M	Cooling Method	IC411	Temperature Class	B
Current [A]	2	Insulation Class	F	Altitude above sea [m]	1000
cos φ	0,67	Weight [kg]			
Efficiency Class	IE3	Service Factor			

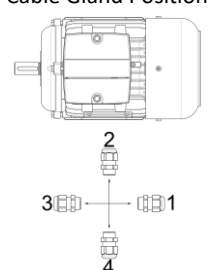
### ELECTRICAL DATA ( RAW MEASUREMENT DATA )

V1	%Load	T [Nm]	I [A]	rpm	P2 [W]	cos φ	Efficiency	Hz
400	100	2,4	2	2934	750	0,67	80,7	50
400	75	1,8	1,8	2948	560	0,58	77,5	50
400	50	1,2	1,7	2964	375	0,45	71,5	50

Locked Rotor Current	Ia [A]	13,4	Breakdown Torque	Mk [Nm]	6
	Ia / In	6,70		Mk / Mn	2,50
Locked Rotor Torque	Ma [Nm]	5,7	No Load Current	[A]	1,7
	Ma / Mn	2,38	No Load Power	[W]	147

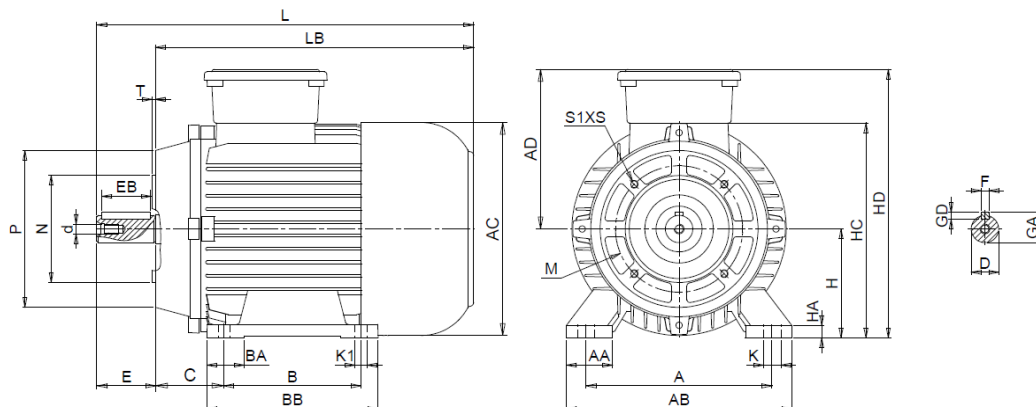
### MECHANICAL DATA

DE Bearing	6204-ZZ	Sound Pressure - 50 Hz - dB[B]	80	
NDE Bearing	6204-ZZ	Sound Pressure - 60 Hz - dB[B]	87	
Fixed Bearing	YES	Housing Material	Aluminium	
Lubrication	-	DE Shield Material	Aluminium	
Grease Amount	-	Terminal Box Material	Polyamide	
Grease Type	-	Cable Entry	M20	
Feather Key	6*6*32	Cable Gland Position	4	
Balance	G 1,6 Half Key			

### MECHANICAL DIMENSIONS

A	AA*	AB*	AC*	AD*	B	B'*	BA*	BB*	C	D	d	E	EB	F	GA
125	35	160	158,2	183	100	-	32	125	50	19	M6	40	32	6	21,5
GD	H	HA*	HC*	HD*	K*	K1	L*	LA*	LB*	M	N	P	S	S1	T
6	80	13	159	263	15	10	262,5**	-	222,5	100	80	120	M6	4	3

\*\*Motor length with plastic fan cover [L]=264 mm. Non standard dimensions[\*] for IEC 60072-1 may vary.



Kazim Karabekir Cad. No:84 Kemalpaşa 35735 İzmir/Turkey

Tel: +90 (232) 877 10 60 (pbx)

Fax: +90 (232) 877 10 59

Email: info@voltmotor.com.tr

www.voltmotor.com.tr/en/

Volt Motor has right to change all the data without prior notice.

