

Three Phase Induction Motor - Squirrel Cage

GENERAL INFORMATION

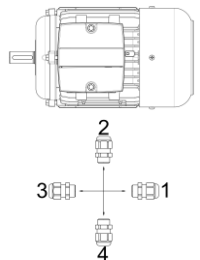
Type	V3EA90L4AB3	Construction	IM B3	Ambient Temp. [°C]	-20 / 40
Pout [kW]	1,5	Duty	S1	Vibration Class	A
Speed [rpm]	1445	Degree of Protection	IP55	Rotation	CW-CCW
Frame	90L	Cooling Method	IC411	Temperature Class	B
Current [A]	6,4	Insulation Class	F	Altitude above sea [m]	1000
cos φ	0,69	Weight [kg]			
Efficiency Class	IE3				

ELECTRICAL DATA (RAW MEASUREMENT DATA)

V1	%Load	T [Nm]	I [A]	rpm	P2 [W]	cos φ	Efficiency	Hz
230	100	9,91	6,4	1445	1500	0,69	85,3	50
230	75	7,36	5,5	1460	1125	0,61	84,1	50
230	50	4,86	5	1475	750	0,46	81,3	50

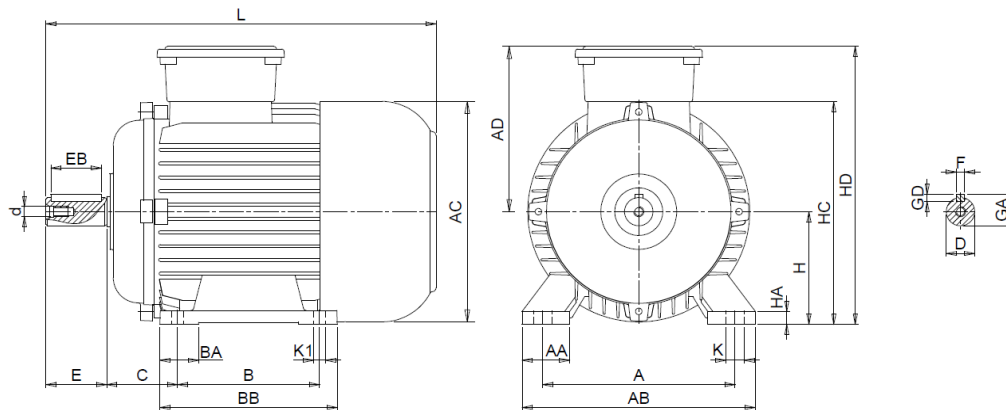
Locked Rotor Current	Ia [A]	28,6	Breakdown Torque	Mk [Nm]	46,2
	Ia / In	4,47		Mk / Mn	4,66
Locked Rotor Torque	Ma [Nm]	43,7	No Load Current	[A]	2,59
	Ma / Mn	4,41	No Load Power	[W]	154

MECHANICAL DATA

DE Bearing	6205-ZZ	Sound Pressure - 50 Hz - dB[B]	75	
NDE Bearing	6205-ZZ	Sound Pressure - 60 Hz - dB[B]	76	
Fixed Bearing	NO	Housing Material	Aluminium	
Lubrication	-	DE Shield Material	Aluminium	
Grease Amount	-	Terminal Box Material	Polyamide	
Grease Type	-	Cable Entry	M20	
Feather Key	8*7*40	Cable Gland Position	4	
Balance	G 1,6 Half Key			

MECHANICAL DIMENSIONS

A	AA	AB	AC	AD	B	B'	BA	BB	C	D	d	E	EB	F	GA
140	40,5	181	176	134	125	-	34	155	56	24	M8	50	40	8	27
GD	H	HA	HC	HD	K	K1	L	LA	LB	M	N	P	S	S1	T
7	90	12	177	227,5	10	15	365	-	-	-	-	-	-	-	-



Kazim Karabekir Cad. No:84 Kemalpaşa 35735 İzmir/Turkey

Tel: +90 (232) 877 10 60 (pbx)

Fax: +90 (232) 877 10 59

Email: info@voltmotor.com.tr

www.voltmotor.com.tr/en/

Volt Motor has right to change all the data without prior notice.