

Three Phase Induction Motor - Squirrel Cage

GENERAL INFORMATION

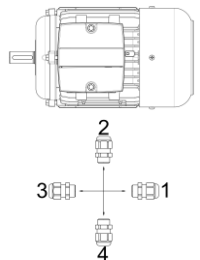
| | | | | | |
|------------------|---------------|----------------------|-------|------------------------|----------|
| Type | V3EA90S2AB3YY | Construction | IM B3 | Ambient Temp. [°C] | -20 / 40 |
| Pout [kW] | 1,5 | Duty | S1 | Vibration Class | A |
| Speed [rpm] | 2895 | Degree of Protection | IP55 | Rotation | CW-CCW |
| Frame | 90S | Cooling Method | IC411 | Temperature Class | B |
| Current [A] | 3,2 | Insulation Class | F | Altitude above sea [m] | 1000 |
| cos φ | 0,80356555106 | Weight [kg] | | | |
| Efficiency Class | IE3 | | | | |

ELECTRICAL DATA (RAW MEASUREMENT DATA)

| V1 | %Load | T [Nm] | I [A] | rpm | P2 [W] | cos φ | Efficiency | Hz |
|-----|-------|--------|-------|------|--------|-------|------------|----|
| 400 | 100 | 4,95 | 3,2 | 2895 | 1500 | 0,8 | 84,2 | 50 |
| 400 | 75 | 3,66 | 2,6 | 2935 | 1125 | 0,74 | 84,1 | 50 |
| 400 | 50 | 2,43 | 2,2 | 2950 | 750 | 0,6 | 81,7 | 50 |

| | | | | | |
|----------------------|---------|-------|------------------|---------|------|
| Locked Rotor Current | Ia [A] | 25,93 | Breakdown Torque | Mk [Nm] | 20 |
| | Ia / In | 8,10 | | Mk / Mn | 4,04 |
| Locked Rotor Torque | Ma [Nm] | 11 | No Load Current | [A] | 1,7 |
| | Ma / Mn | 2,22 | No Load Power | [W] | 141 |

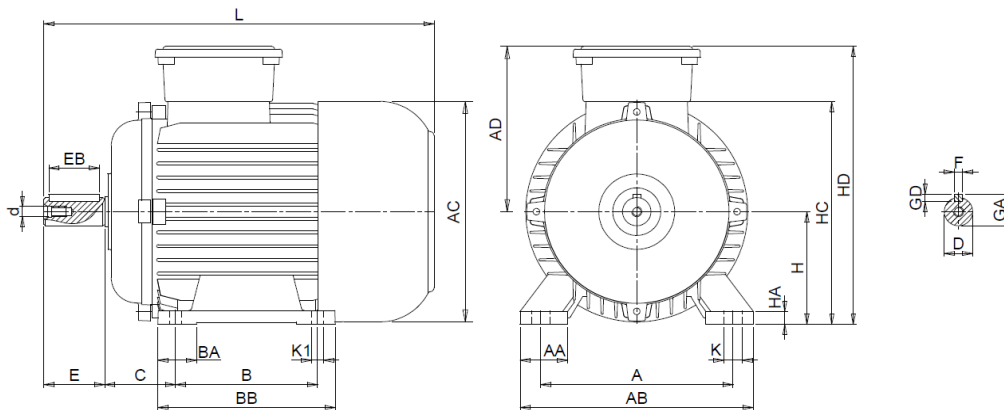
MECHANICAL DATA

| | | | | |
|---------------|----------------|--------------------------------|-----------|--|
| DE Bearing | 6205-ZZ | Sound Pressure - 50 Hz - dB[B] | 80 |  |
| NDE Bearing | 6205-ZZ | Sound Pressure - 60 Hz - dB[B] | 87 | |
| Fixed Bearing | YES | Housing Material | Aluminium | |
| Lubrication | - | DE Shield Material | Aluminium | |
| Grease Amount | - | Terminal Box Material | Polyamide | |
| Grease Type | - | Cable Entry | M20 | |
| Feather Key | 8*7*40 | Cable Gland Position | 4 | |
| Balance | G 1,6 Half Key | | | |

MECHANICAL DIMENSIONS

| A | AA | AB | AC | AD | B | B' | BA | BB | C | D | d | E | EB | F | GA |
|-----|----|-----|-------|-----|-----|----|------|-----|----|----|----|----|----|----|----|
| 140 | 40 | 180 | 178 | 140 | 100 | - | 34 | 130 | 56 | 24 | M8 | 50 | 40 | 8 | 27 |
| GD | H | HA | HC | HD | K | K1 | L | LA | LB | M | N | P | S | S1 | T |
| 7 | 90 | 12 | 175,5 | 230 | 10 | 15 | 338* | - | - | - | - | - | - | - | - |

*Motor length with plastic fan cover [L]=338 mm.



Kazim Karabekir Cad. No:84 Kemalpaşa 35735 İzmir/Turkey

Tel: +90 (232) 877 10 60 (pbx)

Fax: +90 (232) 877 10 59

Email: info@voltmotor.com.tr

www.voltmotor.com.tr/en/

Volt Motor has right to change all the data without prior notice.